

TECHNICAL DATA SHEET

DATE UPDATED:
9/28/2018REV:
ATITLE:
LONG SUPER X STRUTPART NO.
SPX-EX56

WLL SUMMARY

FIXED PLATE END FITTINGS

HEIGHT (in)	HEIGHT (cm)	HOLLOW INNER SECTION (lbs)	HOLLOW INNER SECTION (kgs)	SOLID INNER SECTION (lbs)	SOLID INNER SECTION (kgs)
48	121.92	26,910	12,206	35,880	16,274
72	182.88	21,188	9,610	28,250	12,813
96	243.84	18,038	8,181	24,050	10,908

OTHER END FITTINGS

48	121.92	26,910	12,206	26,910	12,206
72	182.88	19,300	8,754	19,300	8,754
96	243.84	10,800	4,898	10,800	4,898

NOTES:

1. WHEN USING EXTENSIONS: 2 EXTENSIONS MAXIMUM, MAXIMUM OF 3 FEET OF EXTENSION.
2. THE COMPONENT WITH THE LOWEST WLL DETERMINES THE WLL OF THE ENTIRE CONFIGURATION.
3. DO NOT EXTEND INNER SECTION PAST THREADS DURING USE.
4. MAXIMUM AIR PRESSURE: 200 PSI

TECHNICAL DATA SHEET

DATE UPDATED:
9/28/2018

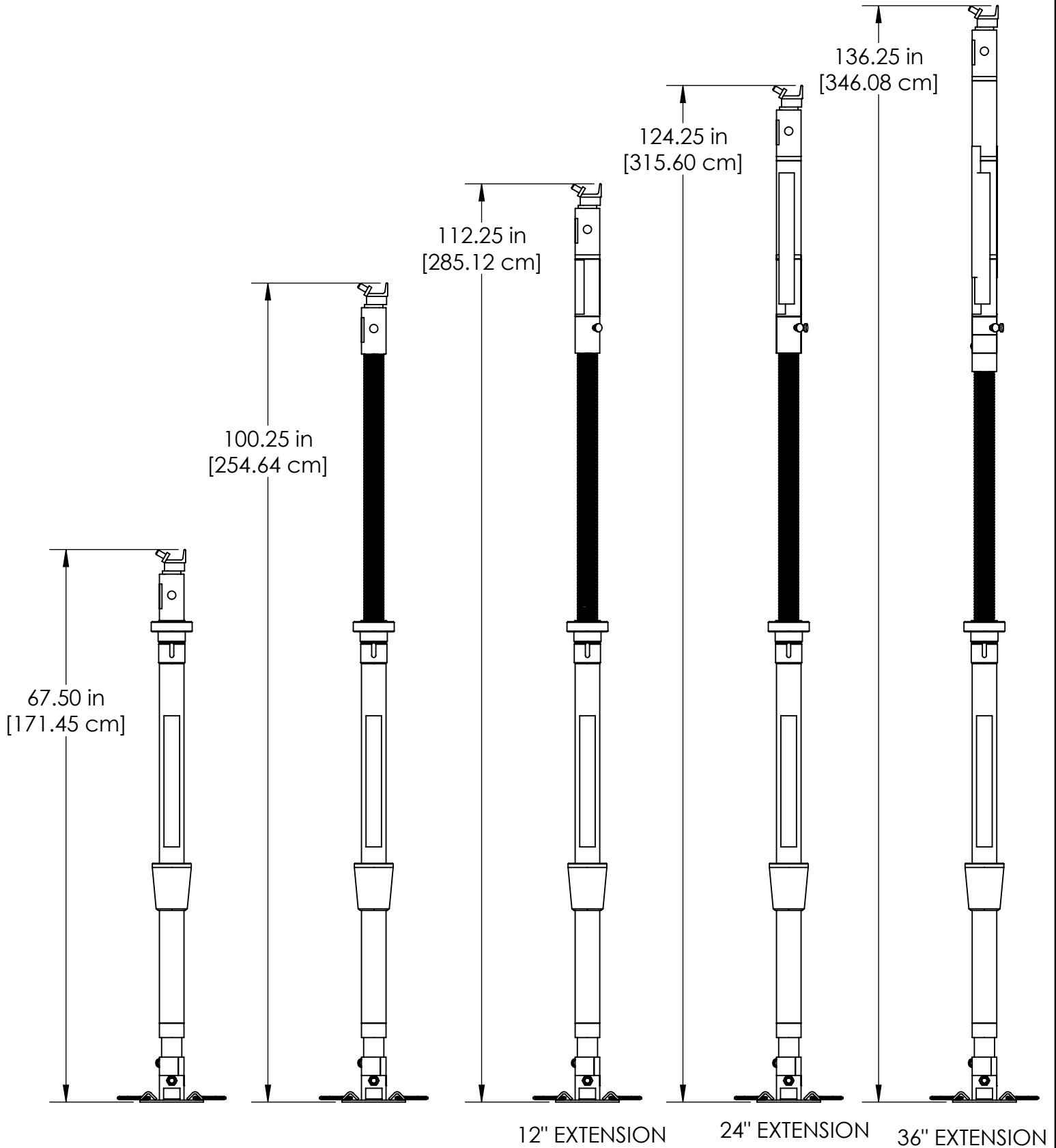
REV:
A



TITLE:
LONG SUPER X STRUT

PART NO.
SPX-EX56

STRUT WEIGHT (WITHOUT EXTENSIONS, HOLLOW INNER SECTION): 46 lbs/20.87 kg



TECHNICAL DATA SHEET

DATE UPDATED:
9/28/2018

REV:
A

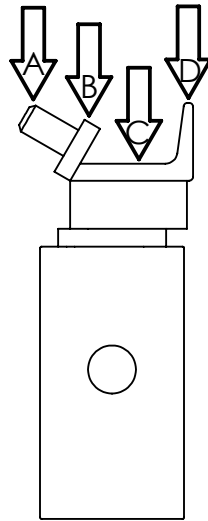


TITLE:
LONG SUPER X STRUT

PART NO.
SPX-EX56 A

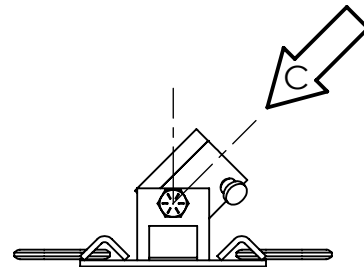
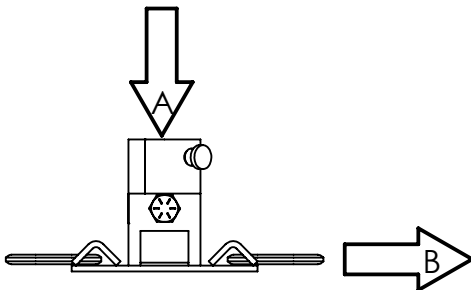
SWIVEL CRG LOAD RATING (2:1 SAFETY FACTOR)

LOCATION	HEIGHT (cm)	WLL (lbs)	WLL (kgs)
A	ROUND POINT	7,000	3,175
B		10,500	4,762
C	COLUMN	10,500	4,762
D	CHAIN GRAB	7,500	3,401



STANDARD BASE PLATE LOAD RATING (2:1 SAFETY FACTOR)

LOCATION		WLL (lbs)	WLL (kgs)
A	90 DEGREES	38,000	17,236
B	LINK	6,100	2,766
C	45 DEGREES	9,800	4,445



TECHNICAL DATA SHEET

DATE UPDATED:
9/28/2018

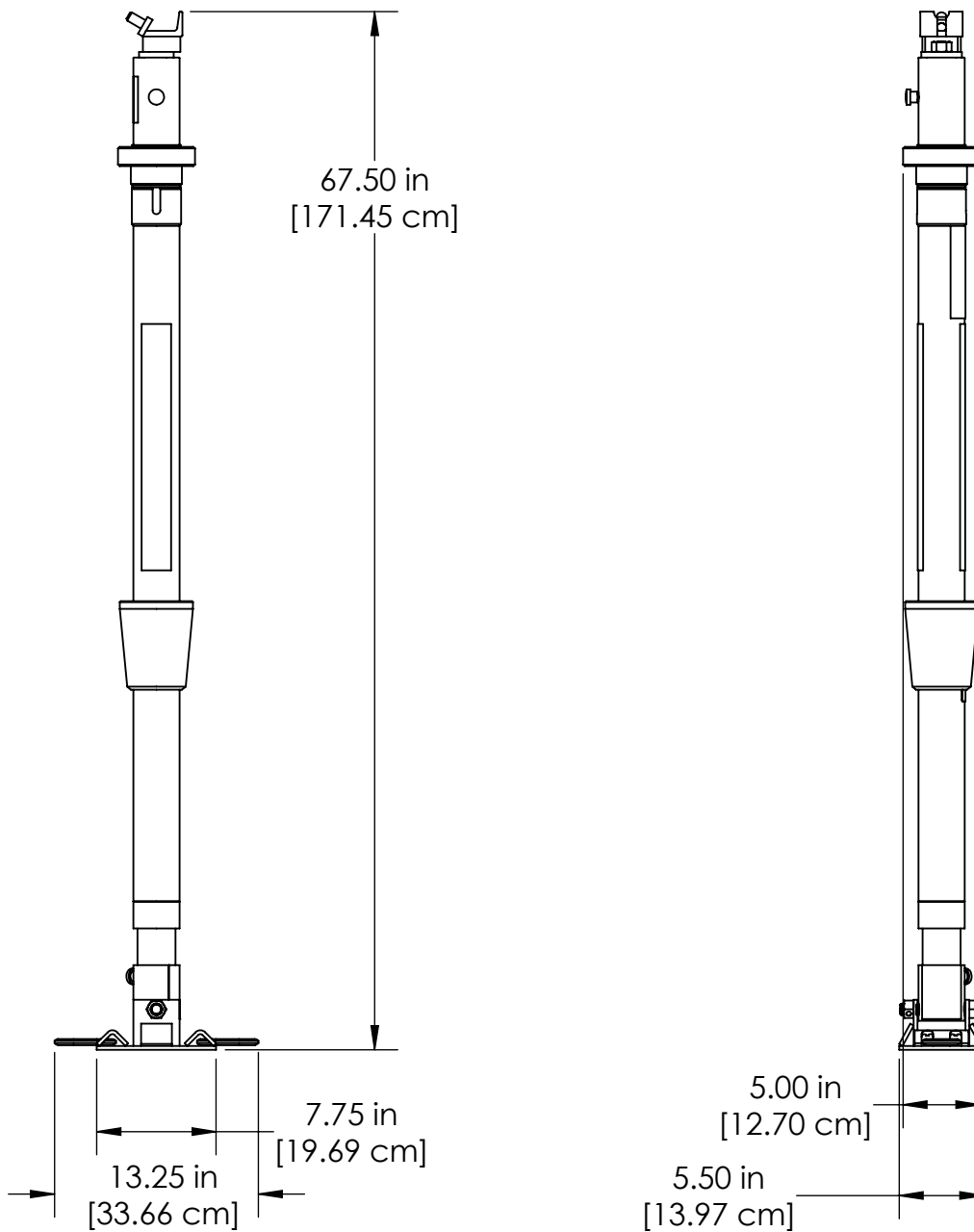
REV:
A



TITLE:
LONG SUPER X STRUT

PART NO.
SPX-EX56

STORAGE



TECHNICAL DATA SHEET

DATE UPDATED:
9/28/2018REV:
ATITLE:
SHORT SUPER X STRUTPART NO.
SPX-EX41

WLL SUMMARY

FIXED PLATE END FITTINGS

HEIGHT (in)	HEIGHT (cm)	HOLLOW INNER SECTION (lbs)	HOLLOW INNER SECTION (kgs)	SOLID INNER SECTION (lbs)	SOLID INNER SECTION (kgs)
48	121.92	26,910	12,206	35,880	16,274
72	182.88	21,188	9,610	28,250	12,813
96	243.84	18,038	8,181	24,050	10,908

OTHER END FITTINGS

48	121.92	26,910	12,206	26,910	12,206
72	182.88	19,300	8,754	19,300	8,754
96	243.84	10,800	4,898	10,800	4,898

NOTES:

1. WHEN USING EXTENSIONS: 2 EXTENSIONS MAXIMUM, MAXIMUM OF 3 FEET OF EXTENSION.
2. THE COMPONENT WITH THE LOWEST WLL DETERMINES THE WLL OF THE ENTIRE CONFIGURATION.
3. DO NOT EXTEND INNER SECTION PAST THREADS DURING USE.
4. MAXIMUM AIR PRESSURE: 200 PSI

TECHNICAL DATA SHEET

DATE UPDATED:
9/28/2018

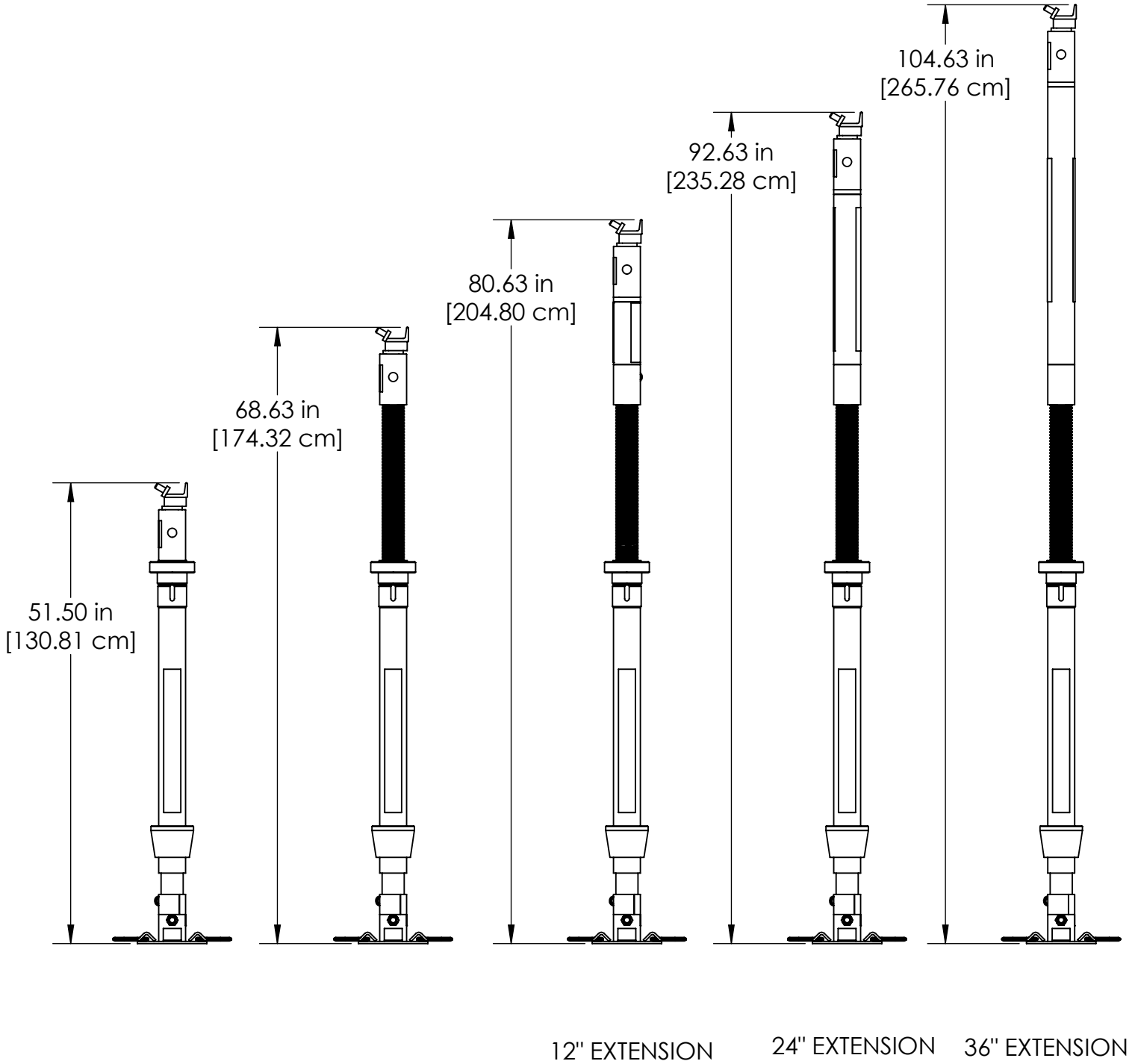
REV:
A



TITLE:
SHORT SUPER X STRUT

PART NO.
SPX-EX41

STRUT WEIGHT (WITHOUT EXTENSIONS, HOLLOW INNER SECTION): 36 lbs/16.33 kg



TECHNICAL DATA SHEET

DATE UPDATED:
9/28/2018

REV:
A

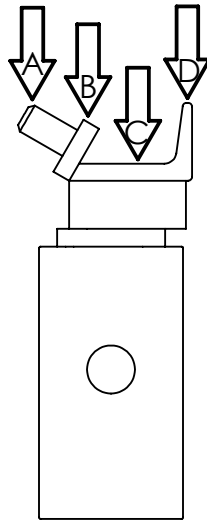


TITLE:
SHORT SUPER X STRUT

PART NO.
SPX-EX41 A

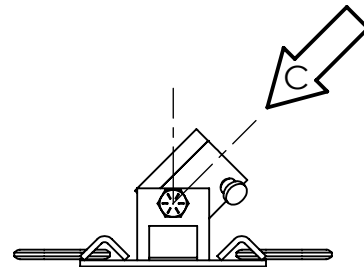
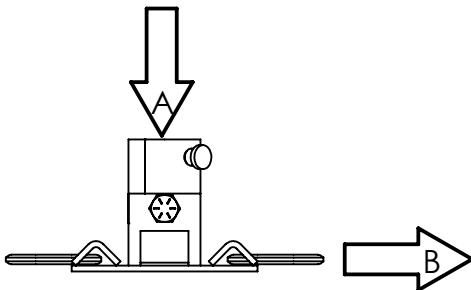
SWIVEL CRG LOAD RATING (2:1 SAFETY FACTOR)

LOCATION	HEIGHT (cm)	WLL (lbs)	WLL (kgs)
A	ROUND POINT	7,000	3,175
B		10,500	4,762
C	COLUMN	10,500	4,762
D	CHAIN GRAB	7,500	3,401



STANDARD BASE PLATE LOAD RATING (2:1 SAFETY FACTOR)

LOCATION		WLL (lbs)	WLL (kgs)
A	90 DEGREES	38,000	17,236
B	LINK	6,100	2,766
C	45 DEGREES	9,800	4,445



TECHNICAL DATA SHEET

DATE UPDATED:
9/28/2018

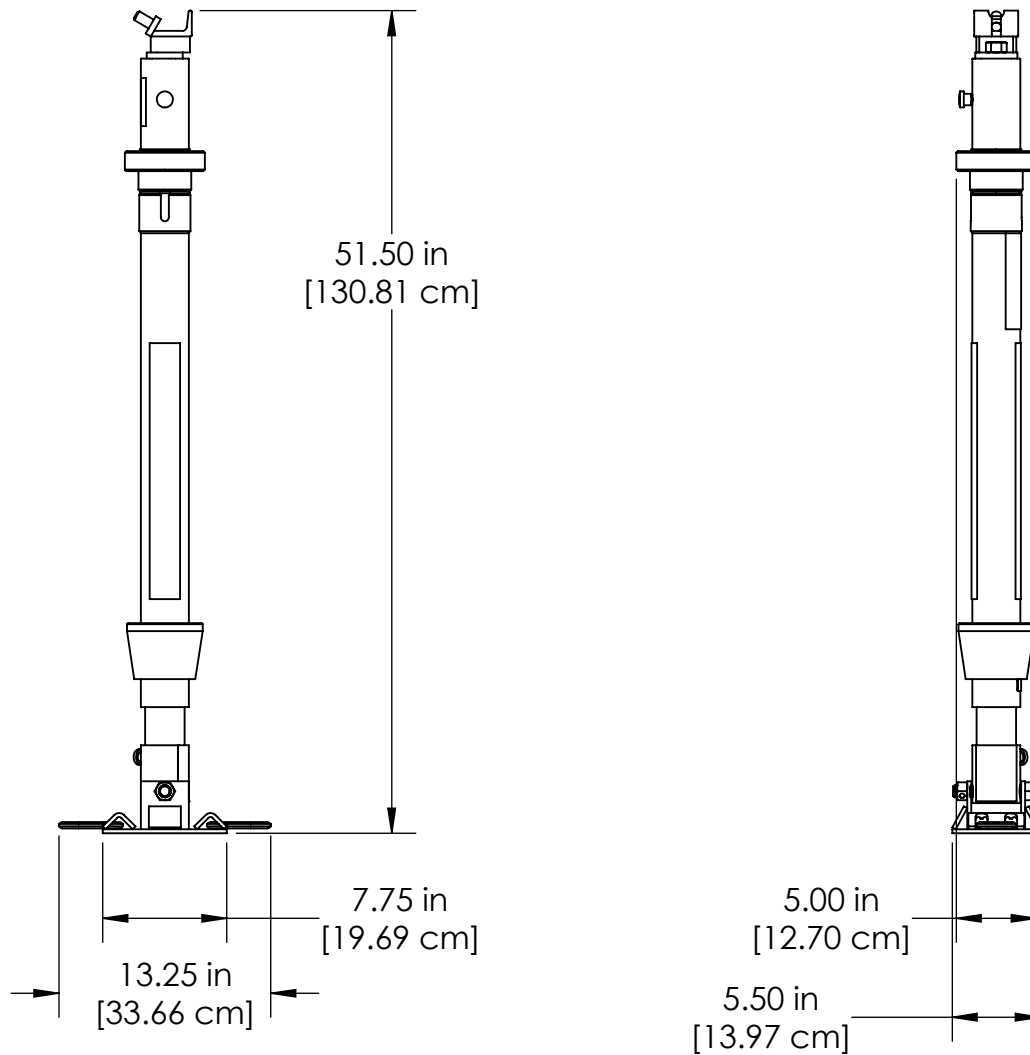
REV:
A



TITLE:
SHORT SUPER X STRUT

PART NO.
SPX-EX41

STORAGE



TECHNICAL DATA SHEET

DATE UPDATED:
10/03/2018

REV:
A



TITLE:
SUPER X JACK

PART NO.
SPX-(D)JACK

LIFTING WLL: 6,000 LBS/2,721 KGS
TRAVEL: 12 IN/30.48 CM
WEIGHT: 23 LBS/10.43 KGS

