

# TECHNICAL DATA SHEET

DATE UPDATED:  
9/27/2018

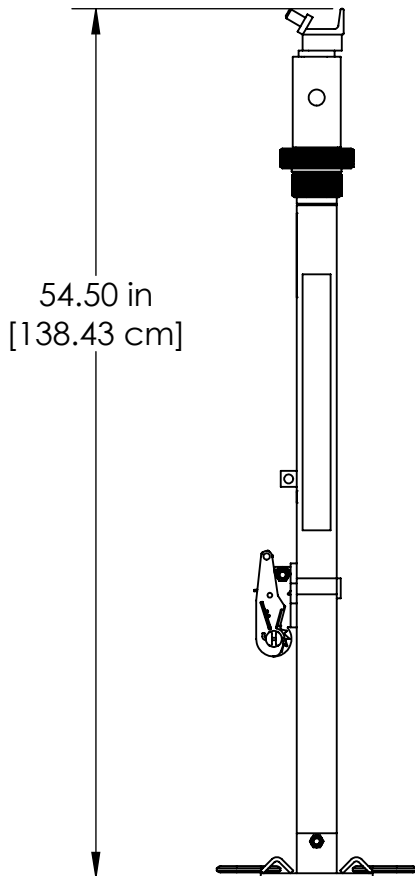
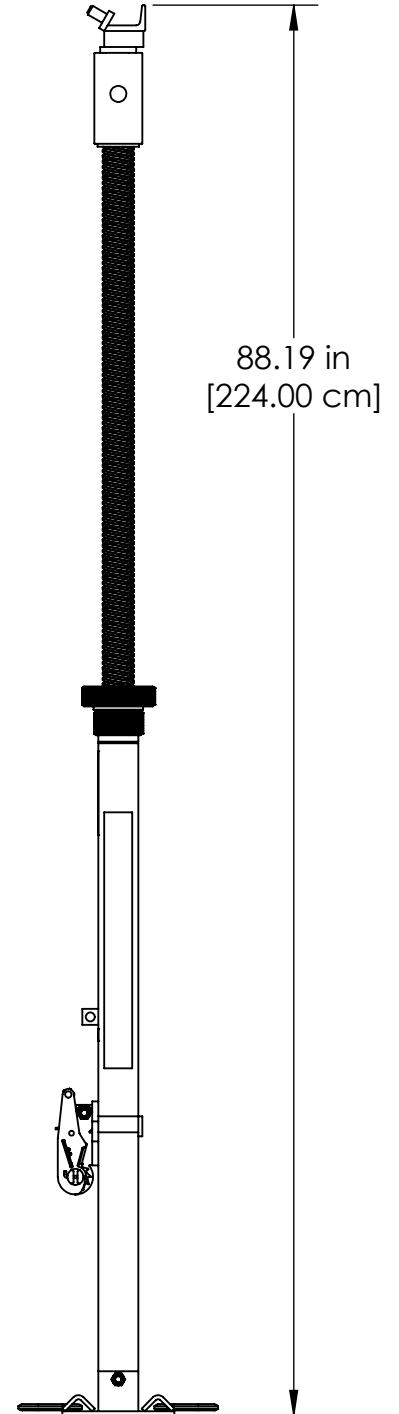
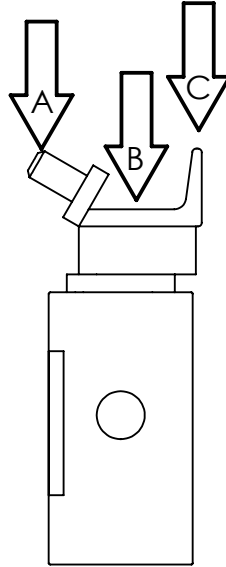
REV:  
A



TITLE:  
LONG AUTO X STRUT

PART NO.  
ATX-STRT-L

LOAD RATING (2:1 SAFETY FACTOR)			
LOCATION		WLL (lbs)	WLL (kgs)
A	ROUND POINT	2,380	1,079
B	COLUMN	3,250	1,474
C	CHAIN GRAB	2,380	1,079



STRUT WEIGHT: 33 lbs/14.97 kg  
NO EXTENSIONS ALLOWED

# TECHNICAL DATA SHEET

DATE UPDATED:  
9/27/2018

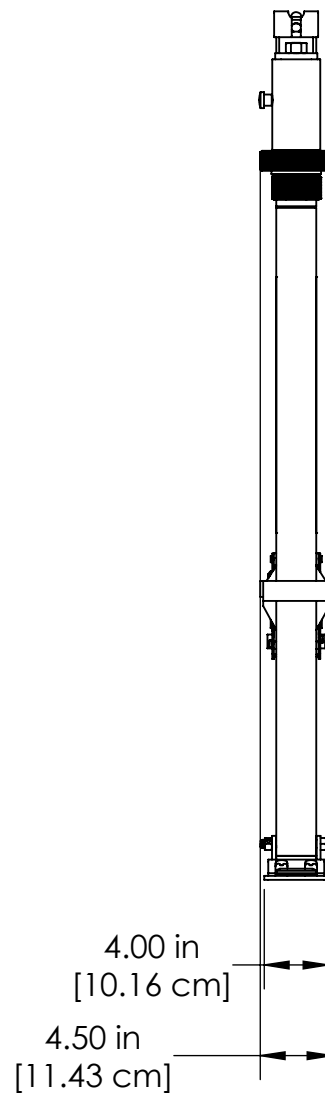
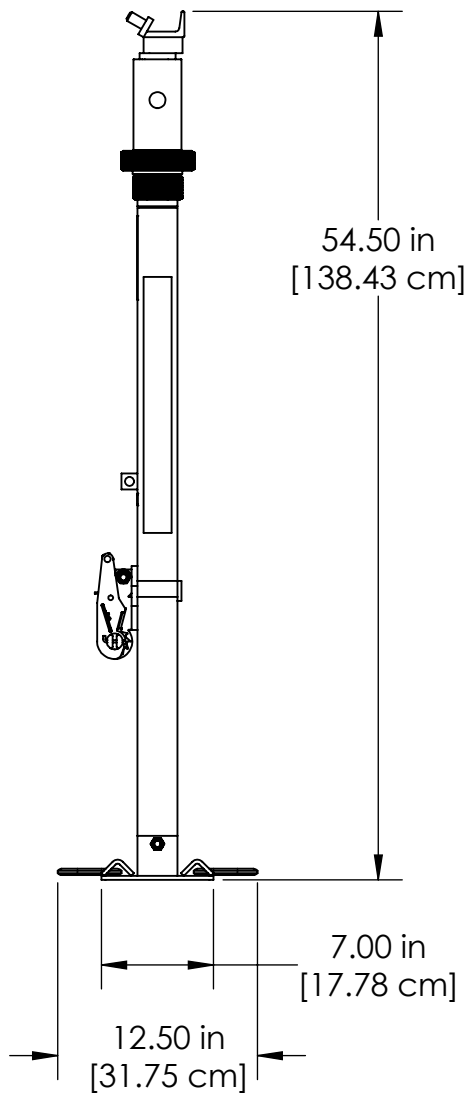
REV:  
A



TITLE:  
LONG AUTO X STRUT

PART NO.  
ATX-STRT-L

## STORAGE



# TECHNICAL DATA SHEET

DATE UPDATED:  
9/28/2018

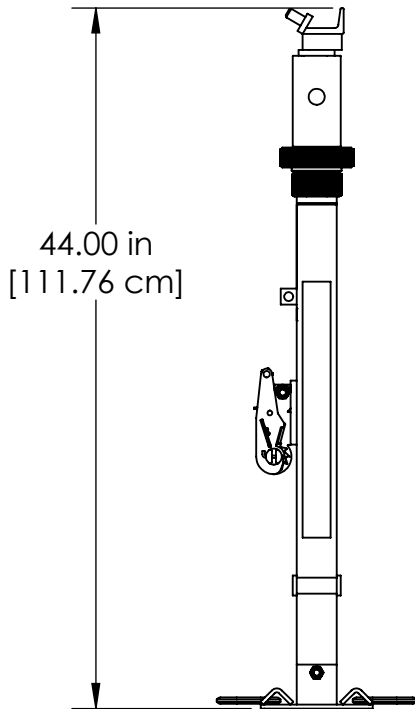
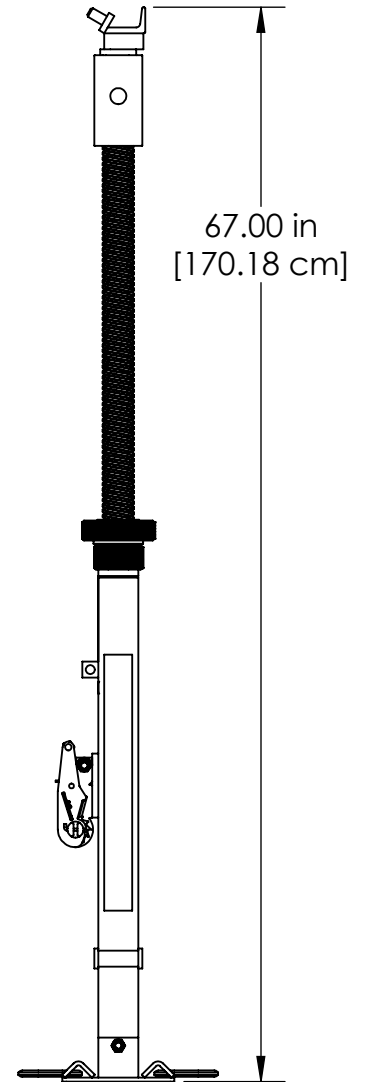
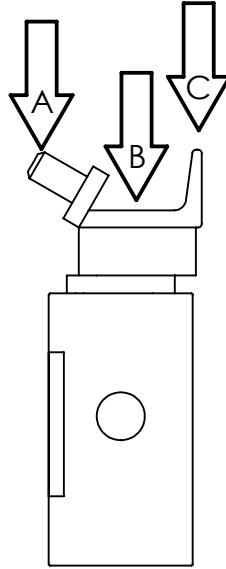
REV:  
A



TITLE:  
SHORT AUTO X STRUT

PART NO.  
ATX-STRT-S

LOAD RATING (2:1 SAFETY FACTOR)			
LOCATION		WLL (lbs)	WLL (kgs)
A	ROUND POINT	2,380	1,079
B	COLUMN	3,250	1,474
C	CHAIN GRAB	2,380	1,079



STRUT WEIGHT: 30 lbs/13.61 kg

**MAXIMUM OF ONE 12 INCH EXTENSION**

# TECHNICAL DATA SHEET

DATE UPDATED:  
9/28/2018

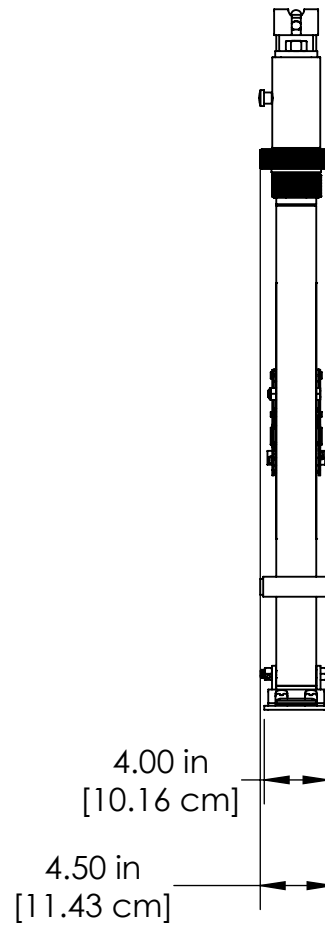
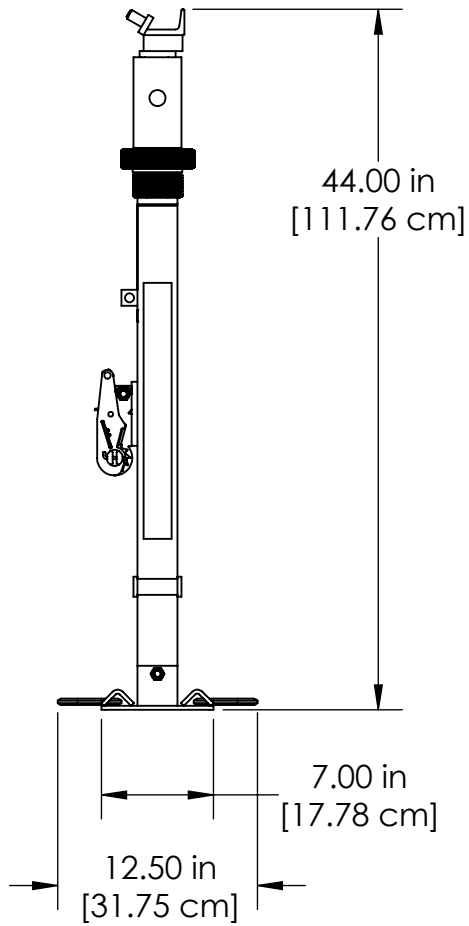
REV:  
A

TITLE:  
SHORT AUTO X STRUT

PART NO.  
ATX-STRT-S



## STORAGE



# TECHNICAL DATA SHEET

DATE UPDATED:  
9/27/2018

REV:  
A

TITLE:  
AUTO X JACK

PART NO.  
ATX-JACK



LIFTING WLL: 2,500 LBS/1,133KGS  
TRAVEL: 12 IN/30.48 CM  
WEIGHT: 15 LBS/6.80 KGS

